

MEET+ 10



10x | 1080p60 | USB&HDMI | Power via USB-C

Full HD Video Conferencing Camera

Meet+ 10x is ideally used for video conferencing in small and medium-sized meeting rooms. It is equipped with Panasonic 1/2.8" sensor and high quality 10x optical lens, to output crisp images with realistic color, even in low light or high contrast of brightness and darkness environment. USB and HDMI can output different resolutions respectively at the same time, both can be up to 1080p60.

Power via USB-C port.

It works with any of your favorite conferencing software, totally plug and play, and user-friendly.

Application



Key features

◆ 1080p60 FHD output

Equipped with advanced image processing solution and cutting-edge video camera algorithms, a Panasonic 1/2.8 inch sensor and high-quality lens, to output crystal clear image, max up to 1080p60 full high definition resolution.

◆ 10x optical zoom

Featured with a high-quality 10x optical zoom lens, which is able to capture the participants at a distance of 10 meters, allowing the participants to occupy 1/3 of the screen in the display very clear and lively.

◆ USB and HDMI output

With USB-C and HDMI video ports, which can output the same or different resolutions respectively at the same time.

◆ Power via USB-C

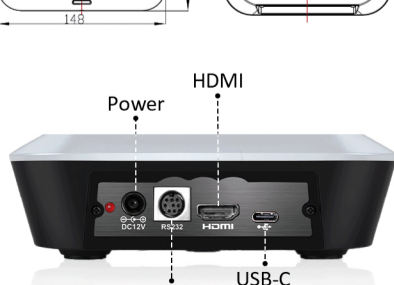
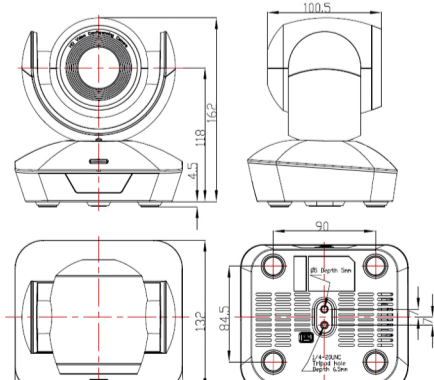
Meet+ 10x can power via a USB-C port directly, with no need for the power supply adaptor, which makes deployment even more simple, a single cable enables power, video, and control.

◆ Smooth and silent PTZ movement

Thanks to the compact and sophisticated mechanism design, and accurate driven algorithms, TLC-1000-HU2-10 can move very smoothly without noise at variable pan/tilt/zoom speed.

Specification

Camera	Meet+ 10
Part Number	TLC-1000-HU2-10
Sensor	1/2.8 inch, 2.4 MP CMOS Panasonic sensor
Zoom	10x optical zoom + 12x digital zoom
Lens	f= 4.7~47mm , F1.6-3.0
Horizontal View Angle	62.5°(wide)- 6.43°(tele)
Vertical viewing angle	40.1°~ 4.1°
Diagonal viewing angle	69.7° ~ 7.56°
Minimum Working Distance	Wide: 0.5m; Tele: 1m
S/N Ratio	≥50dB
Video Format	HDMI: 1920*1080P60/59.94/50/30/29.97/25/24 1920*1080160/59.94/50 1280*720P60/59.94/50/30/29.97/25 USB 2.0 Type-C: MJPG:1920*1080P60; 1280*960P60; 1280*720P60; 1024*768P60; 800*600P60; 640*480P30; 320*240P60 YUY2:640*480P30; 320*240P30
Image Parameters	
Noise Reduction	2D&3D
Minimum lux	0.7Lux (50 IRE Max AGC,1/30, F1.8)
White Balance	Auto / Manual / Indoor / Outdoor / C.T. / PUSH
Exposure	Auto/Manual/Shutter Priority/Iris Priority/Brightness Priority
Anti-Flicker	OFF, 50Hz, 60Hz
Image Flip	Support
Mirroring	Support
Focus	Auto/Manual
Iris	Auto/Manual
Electronic shutter	Auto/Manual
Gamma	Support
WDR	Support
Pan/Tilt Movement	
Preset	Remote controller: 10; Serial port: 128; Accuracy: 0.1°
Pan Rotation Angle	-170°~+170°
Tilt Rotation Angle	-30°~+90°
Pan Rotation Speed	0.1°~120°/s
Tilt Rotation Speed	0.1°~80°/s
General	
Input Voltage	5V 1000mA(via USB type C)/ DC: 12V 2A(via Power Adapter)
Power Consumption	DC: 12V 2A(Pmax=7W)
Operating Temperature	-10℃~50℃
Operating Humidity	≤80%
Color	Silver
Dimension (LxWxH)	148mmx132mmx162mm
Net Weight	0.9kg(2LBS)
Accessory	Power adapter, Power cable, 3m USB Type-C cable, manual, warranty card



Telecam Technology Co.,Ltd

Phone number: +86 755 33275155 E-mail: sales@telycam.com

Add: 6 Floor, Building A, Shuanghuan Information Technology Industrial Park, No.8, Baoqing Rd, Longgang District, Shenzhen, 518116, China